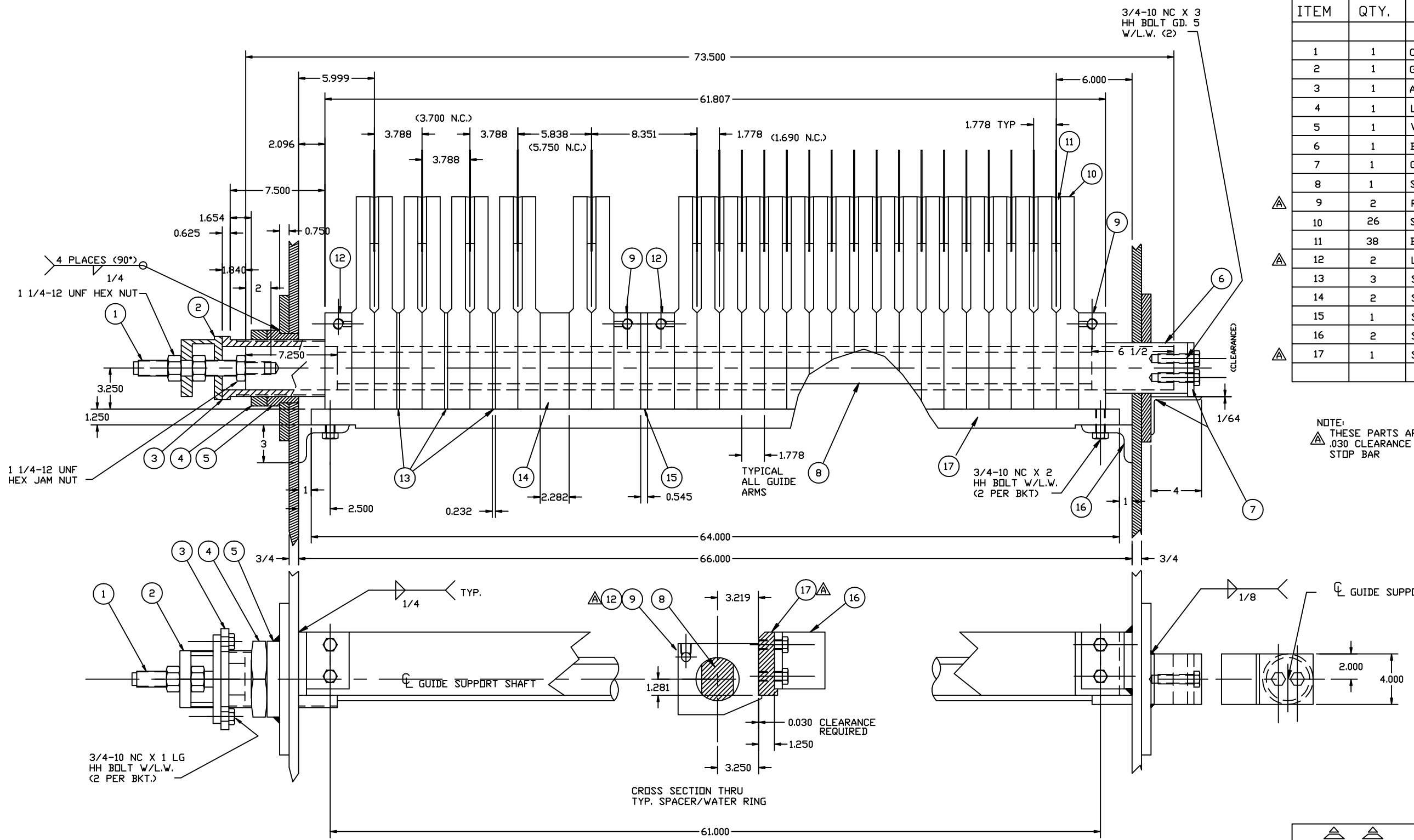


MATERIAL LIST

ITEM	QTY.	DESCRIPTION
1	1	CLAMPING ROD #B1205
2	1	GUIDE CLAMPING BKT #B1204
3	1	ADJ. SLEEVE #B1126
4	1	LOCK-NUT #B1053
5	1	WELD BUSHING #B1054
6	1	BUSHING/SPACER #B1055
7	1	GUIDE BAR ANTI-ROT. #B1129
8	1	SAW GUIDE BAR #D1127
9	2	R.H. WATER/LUBE RING #C1058
10	26	SAW GUIDE ARM #D1114
11	38	BABBITT PAD (RH & LH) #B1042
12	2	L.H. WATER/LUBE RING #C1057
13	3	SAW GUIDE SPACER #C1056 - D
14	2	SAW GUIDE SPACER #C1056 - F
15	1	SAW GUIDE SPACER #C1056 - E
16	2	SUPPORT BAR BKT. #B1061
17	1	SAW GUIDE STOP BAR #D1166



NOTE:
 THESE PARTS ARE DESIGNED FOR
 .030 CLEARANCE BETWEEN SAW GUIDE
 STOP BAR


 Designers & Manufacturers
 of Quality Machinery.
 19555 S.W. 129th Ave.
 Tualatin, OR 97062
 FAX (503) 691-1892 PHONE (503) 691-0162

LAYOUT - SAW GUIDE W/STOP BAR AND CLAMPING DESIGN			
UKIAH CONVERSION TO SPLIT EDGER			
FRONT ASS'Y DRWG. NO.		DRAWN BY:	KPT
LIMITS UNLESS NOTED		CHECKED BY:	
FRACT.	±1/64 ±1/16	DATE:	3 OCT 94
DEC.	±.005	SCALE:	1/4
REV.	CHANGE	DATE	JOB NO
			DRWG. NO D1119

(TIMBER MACHINE TECHNOLOGIES INC.) PROPRIETARY RIGHTS ARE INCLUDED IN THE INFORMATION DISCLOSED HEREIN. RECIPIENT BY ACCEPTING THIS DOCUMENT AGREES THAT NEITHER THIS DOCUMENT NOR THE INFORMATION DISCLOSED HEREIN NOR ANY PART THEREOF SHALL BE REPRODUCED OR TRANSMITTED TO OTHER DOCUMENTS OR USED TO DISCLOSE TO OTHERS FOR DESIGN OR BIDDING OR MANUFACTURING OR ANY PURPOSE EXCEPT AS SPECIFICALLY AUTHORIZED IN WRITING BY AN OFFICER OF (TIMBER MACHINE TECHNOLOGIES INC.), 19555 S.W. 129TH AVE. TUALATIN ORE. 97062 (503) 691-0162